

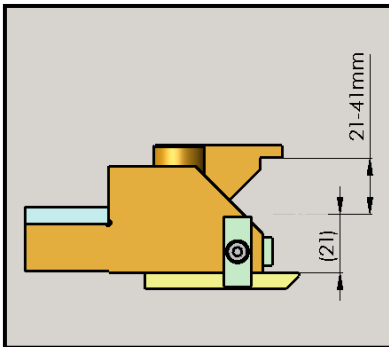


New Multi Function Vertical Vise



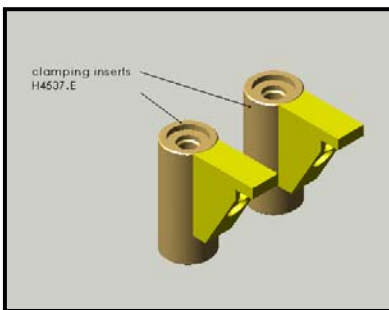
H4537

- Twin Clamping Jaws for greater workpiece stability.
- Ability to clamp two small parts with one vise
- Built in End Stops
- Replaceable "Z" Lip
- Reversible Jaws for a greater clamping range (0 to 41mm)



The newest addition to the H4000 System, the H4537 Vertical Vise offers a wide variety of clamping options in a single element. The jaws are reversible so that the unit can be used to clamp very thin workpieces or very thick and heavy parts (up to 60mm with optional H4537.E jaws).

The body is relieved for better clearance of the upper head and nozzle on most Wire EDM machines.



H4537.E Optional Jaws

The H4537 Vertical Vise has an optional set of longer jaws available to enable the H4537 to clamp workpieces up to 60mm in height. This option allows you to clamp a greater variety of work with one vise.