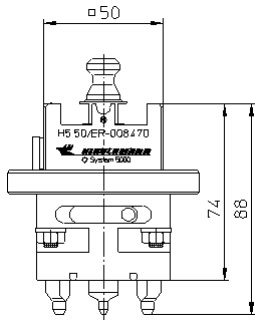


# Fixturing System 5000

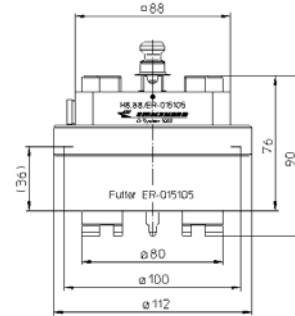
## ADAPTERS TO OTHER SYSTEMS

### HIRSCHMANN to EROWA

H5.50R/ER-034387

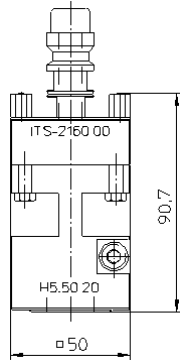


H8.88/ER-018600

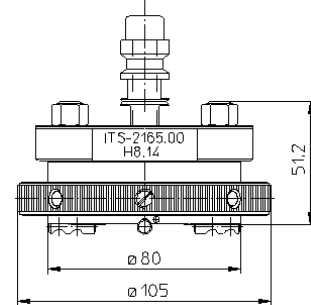


### EROWA to HIRSCHMANN

H5.50.20/S40

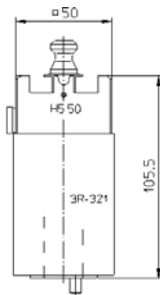


H8.14/S40

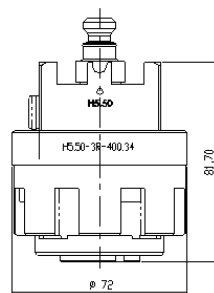


### HIRSCHMANN to System 3R

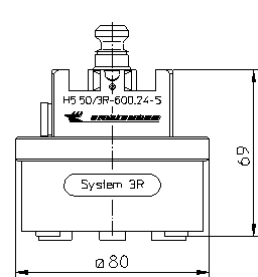
H5.50/3R-653-S



H5.50-3R-400.34

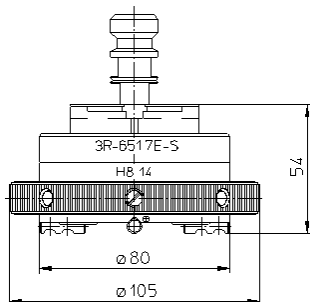


H5.50/3R-600.24-S

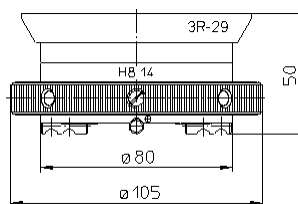


### System 3R to HIRSCHMANN

H8.14/3R-6517E-S



H8.12/3R-29



# HIRSCHMANN